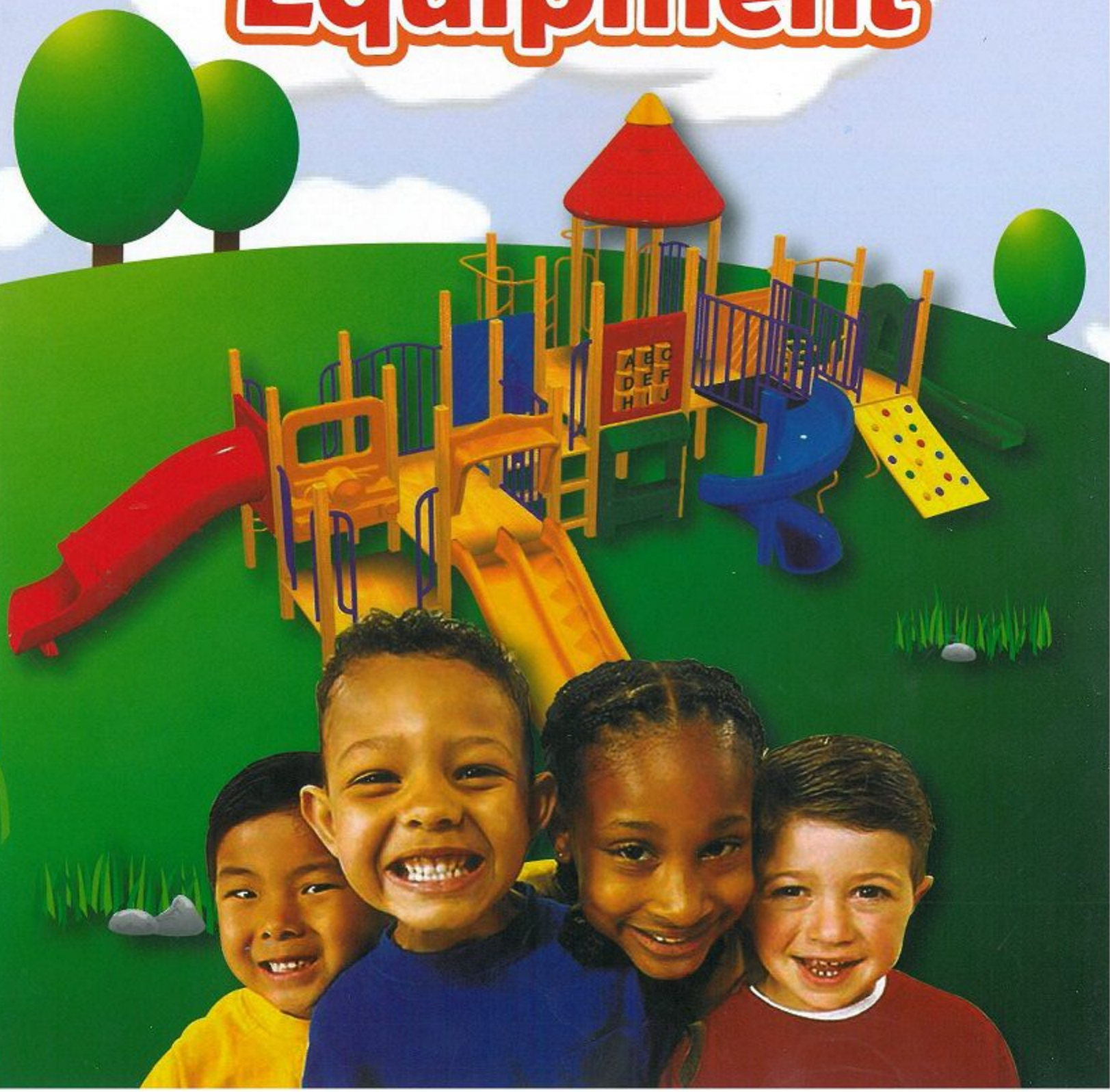




# Playground Equipment





# Panels



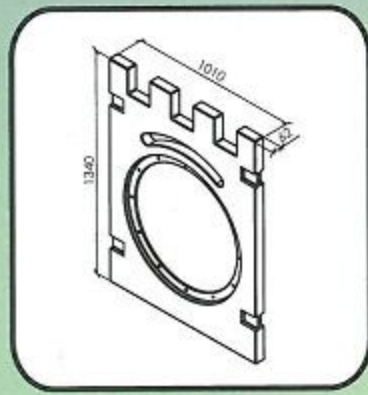
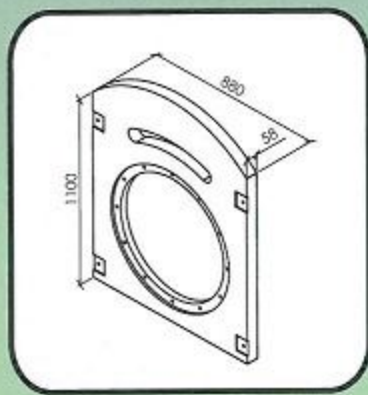
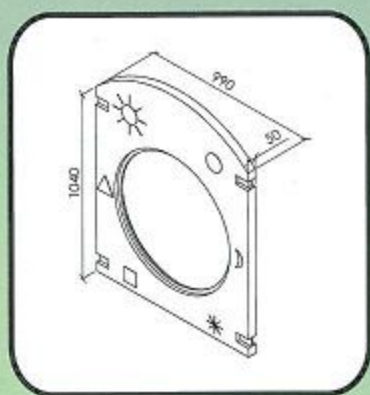
• Bracket Panel-590



• Pro Panel



• Bracket Panel-780



# Slides



• Short Slide



• Long Slide



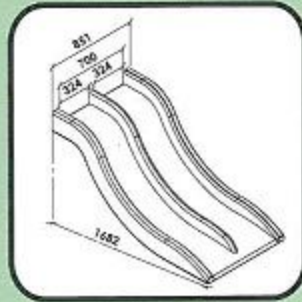
• 1.2m Slide



• Double Straight Slide



• 800mm Slide





# Tubes



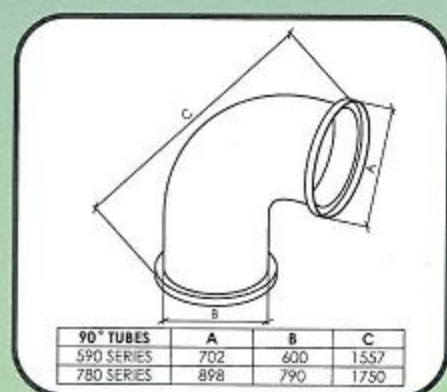
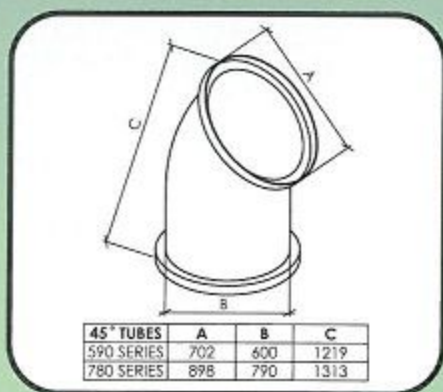
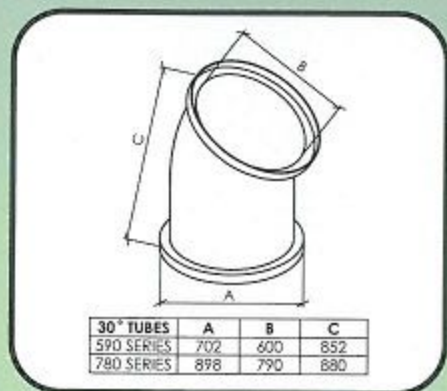
• 30 Deg Tube



• 45 Deg Tube



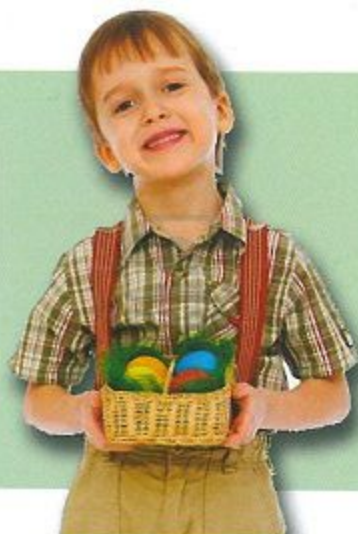
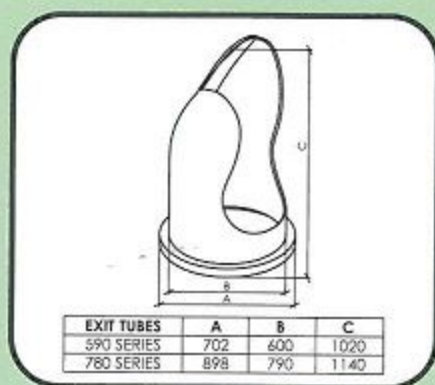
• 90 Deg Tube



• Exit Tube

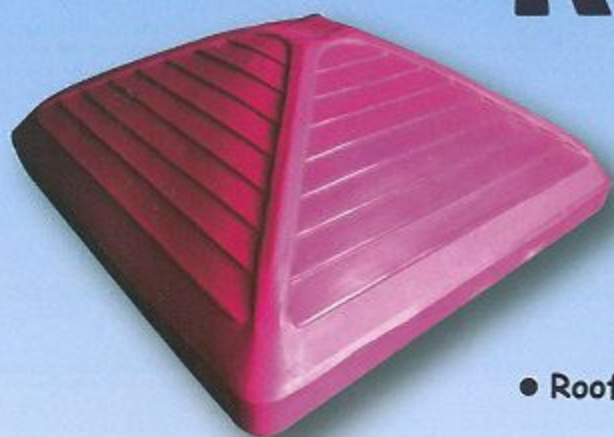


• Straight Tube

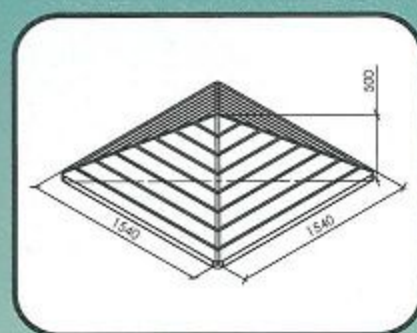




# Roof



● Roof



# Accessories



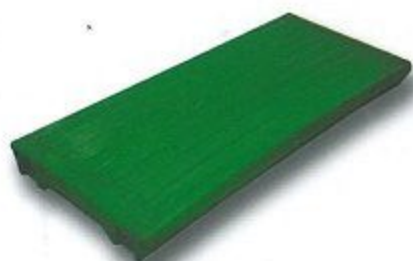
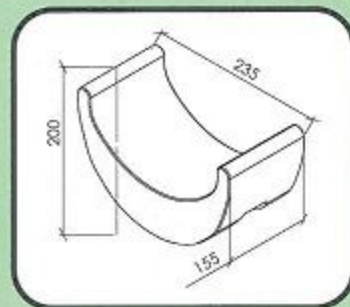
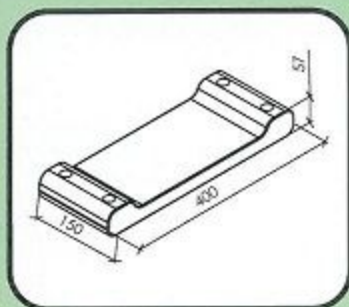
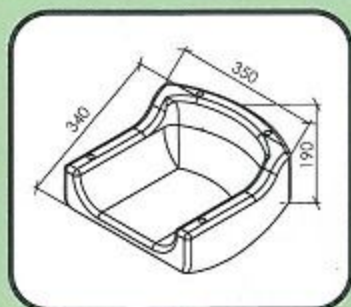
● Toddler Seat



● Swing Seat



● See-Saw Seat



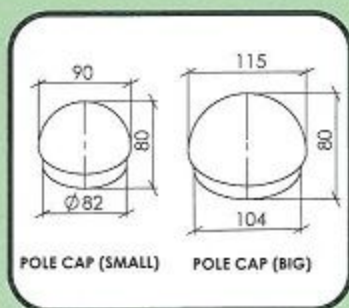
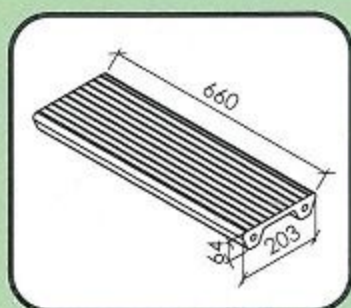
● Step



● Pole Cap

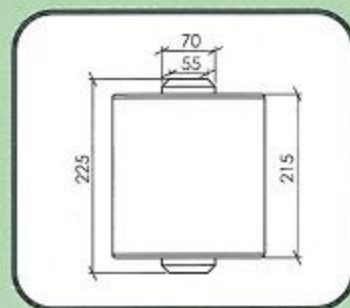


● Tic-TacToe



POLE CAP (SMALL)

POLE CAP (BIG)



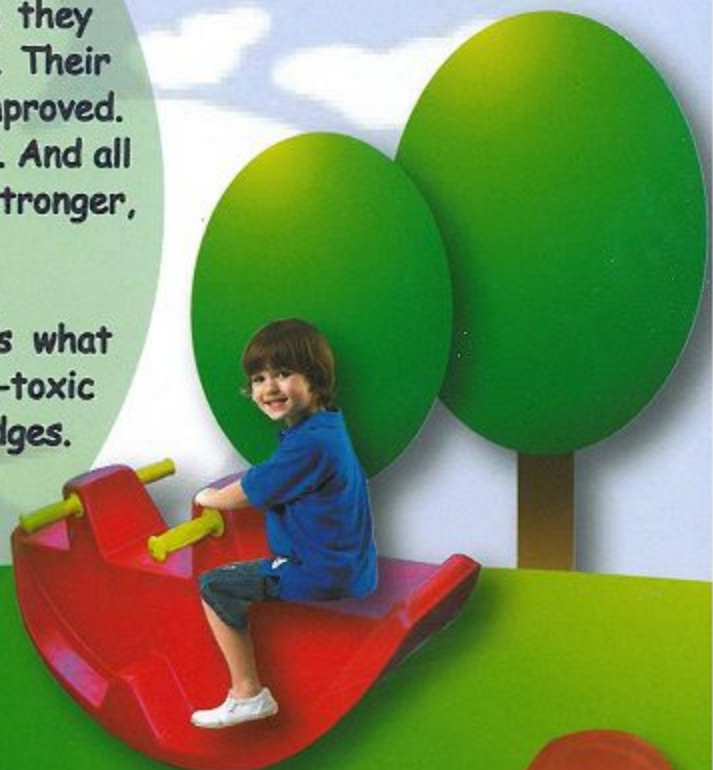


# FunShapes

Shaping the value of play

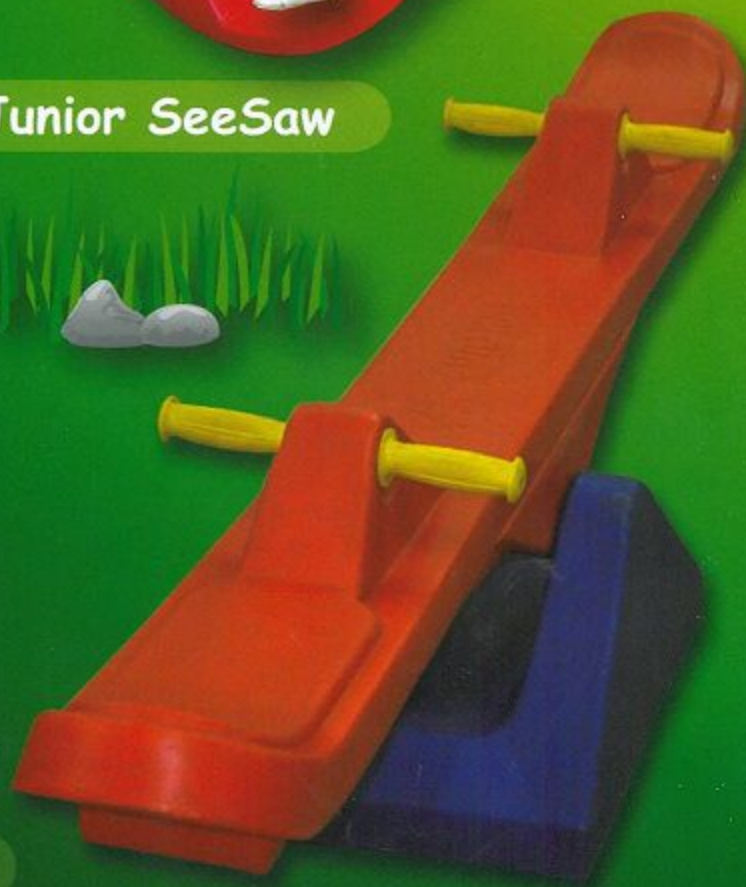
Greater value in play! That is what **FUN SHAPES** toys are made for. With **FUN SHAPES** your children get the exercise they need to build a strong body and a sound mind. Their stamina, agility, coordination and balance are improved. The social skills and mental abilities are enhanced. And all these happen with fun. Your children grow up stronger, smarter, and happier.

Food grade polyethylene resin. That is what **FUN SHAPES** toys are made of completely non-toxic and non-corrosion. No sharp coner or rough edges. So absolutely safe for your children.

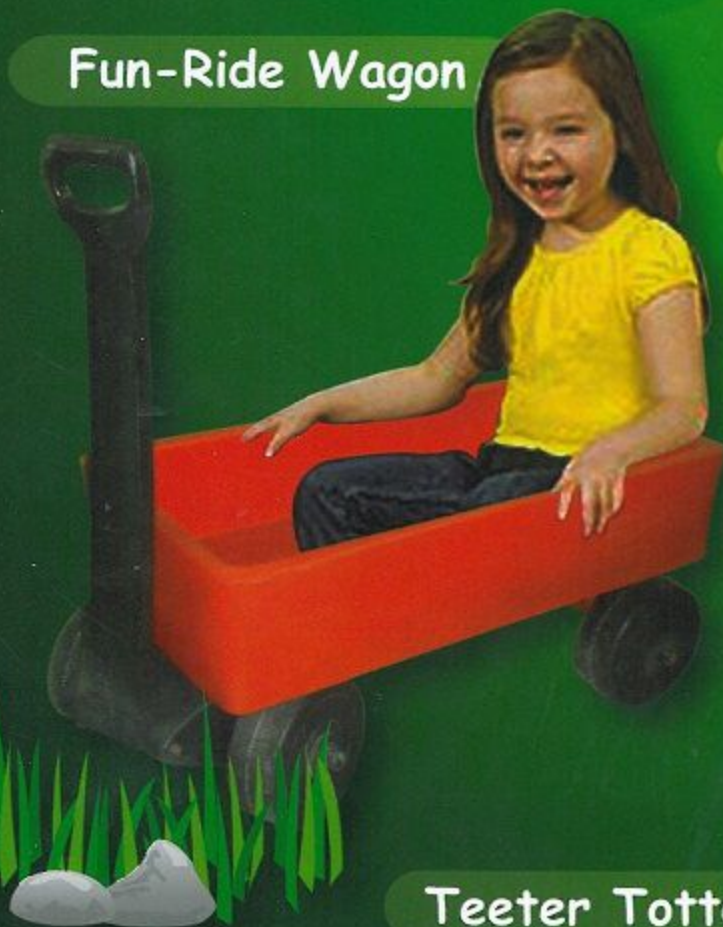


Fun-Ride Wagon

Junior SeeSaw

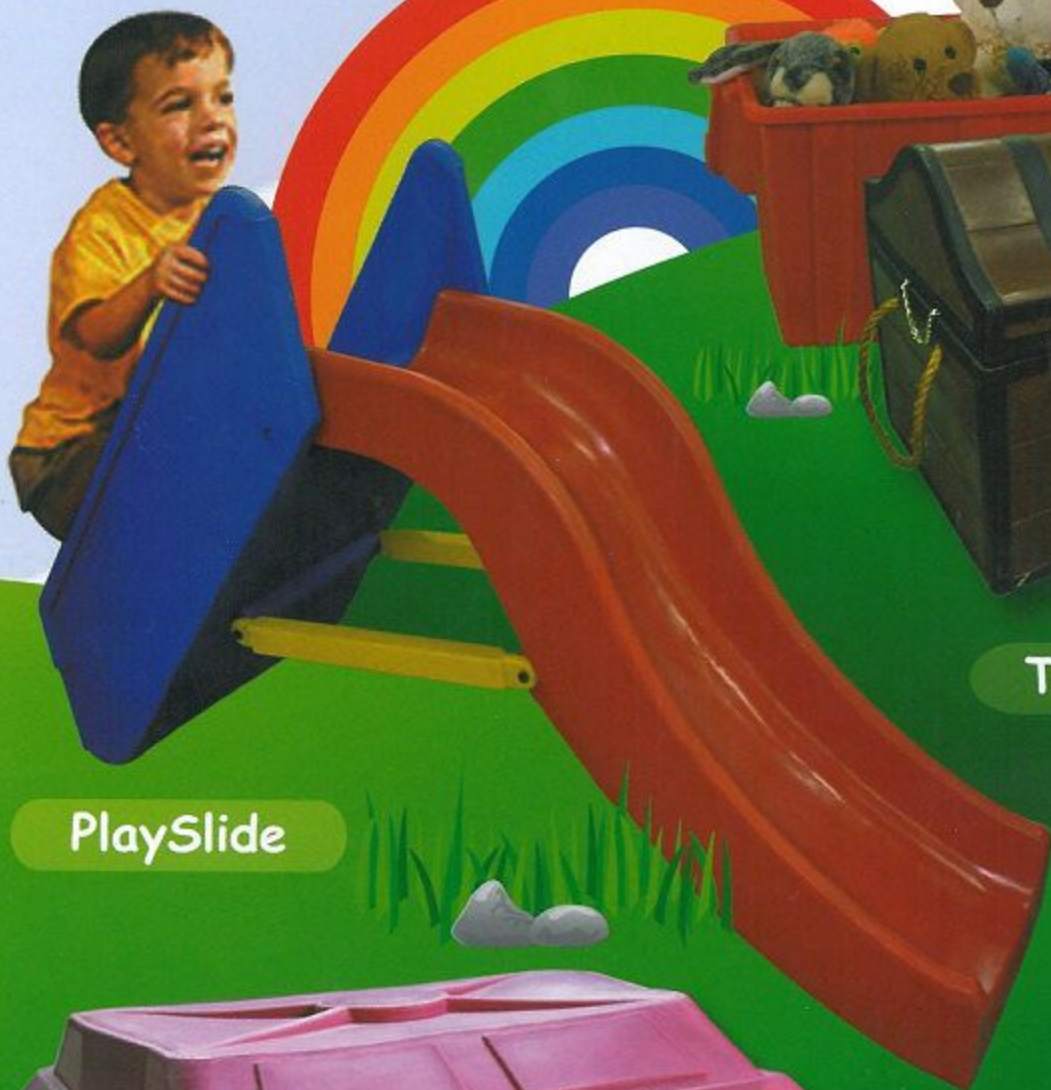


Teeter Totter



Made to outlast childhood. By using virgin UV-stabilized resin, We have made **FUN SHAPES** toys virtually indestructible even under extreme conditions. So you get No rust, No cracks, No dents-just pure Fun!





PlaySlide

Toy Treasure Chest

Skitters



SandBox

