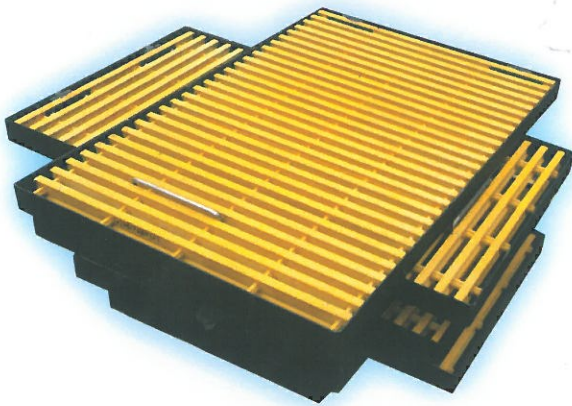
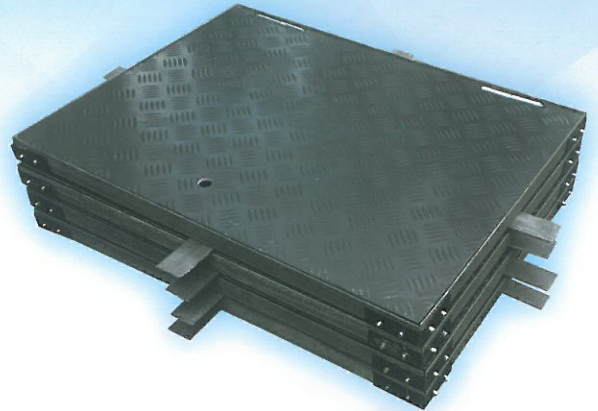
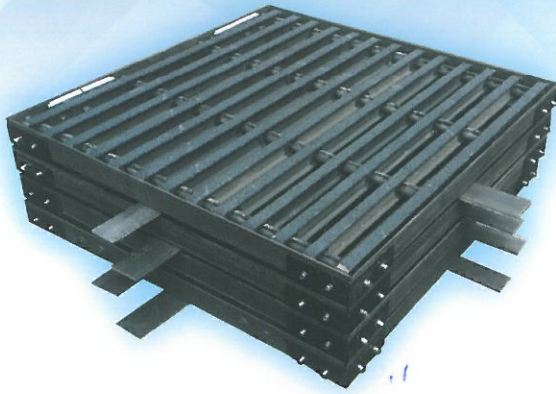




MUI FATT



MUIGRATE FPR COVER FOR MANHOLE AND SUMP COVERS



012



MUI FATT

Mui Fatt Marketing Sdn. Bhd.

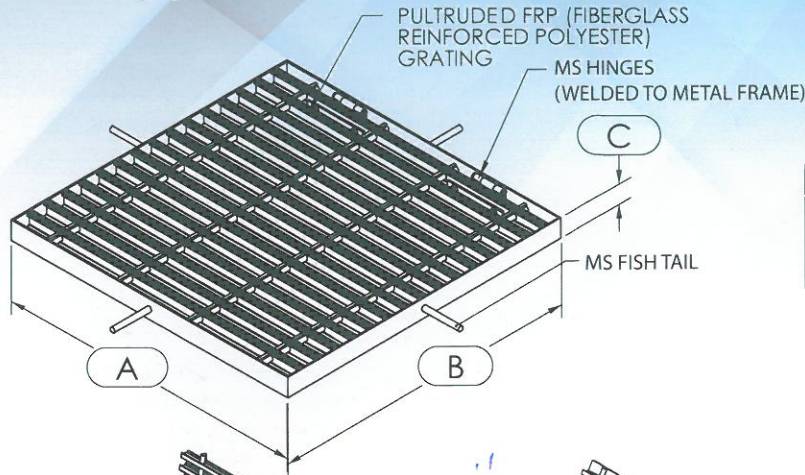
www.muifatt.com

Phone: +603-3134-3888 Fax: +603-3134-3889

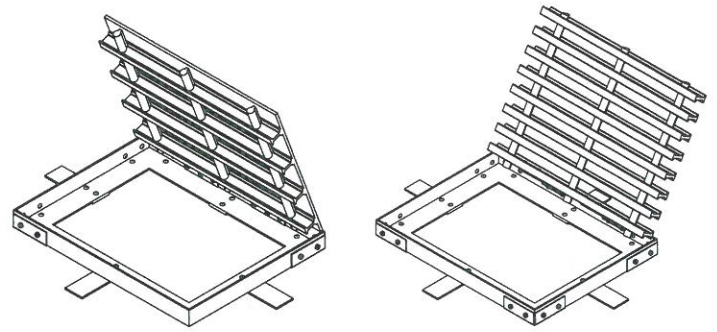
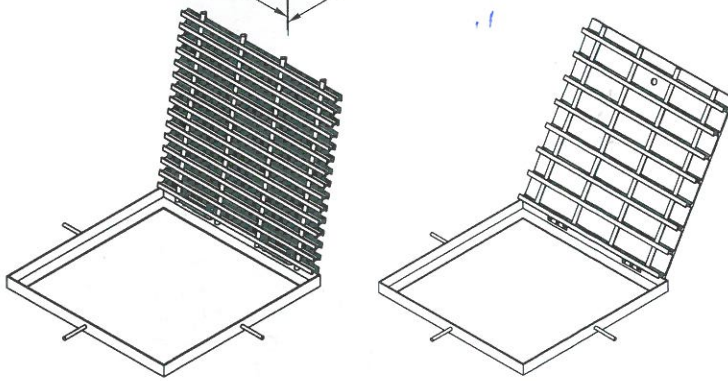
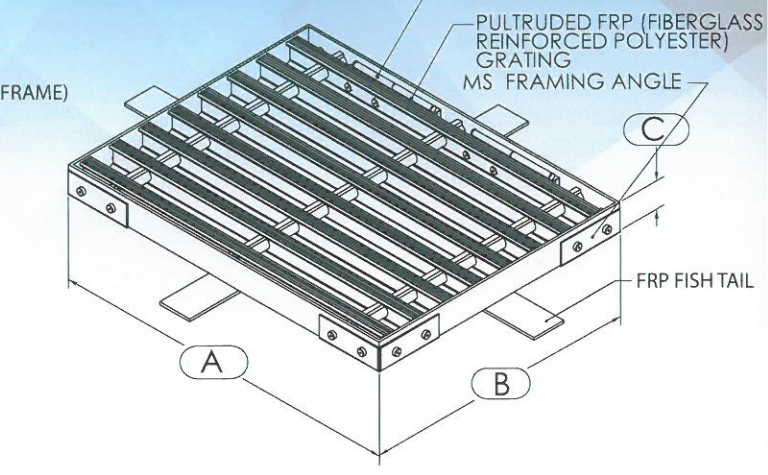
Email: sales@muifatt.com.my

MuiGrate Pultruded Grating & Chequered Plate

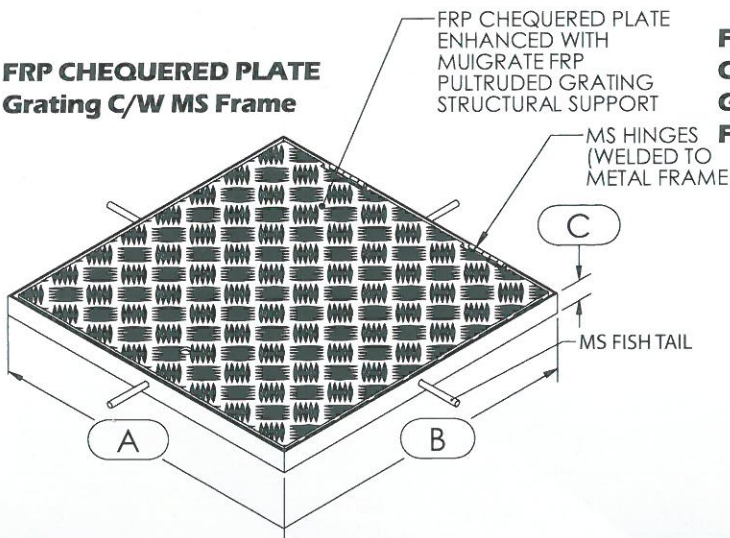
FRP Grating C/W MS Frame



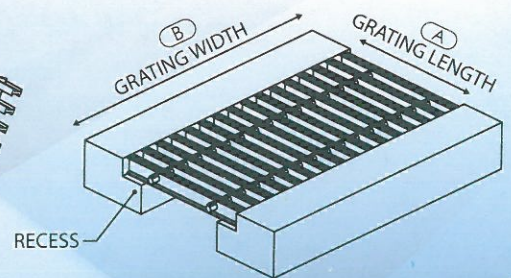
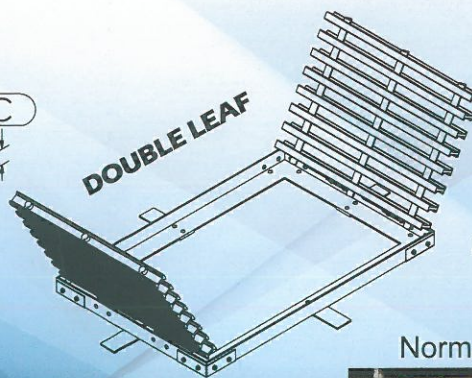
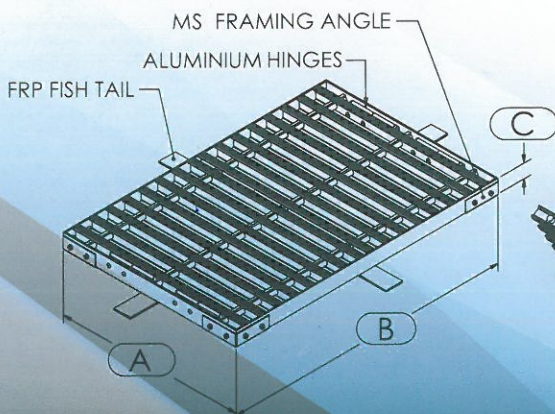
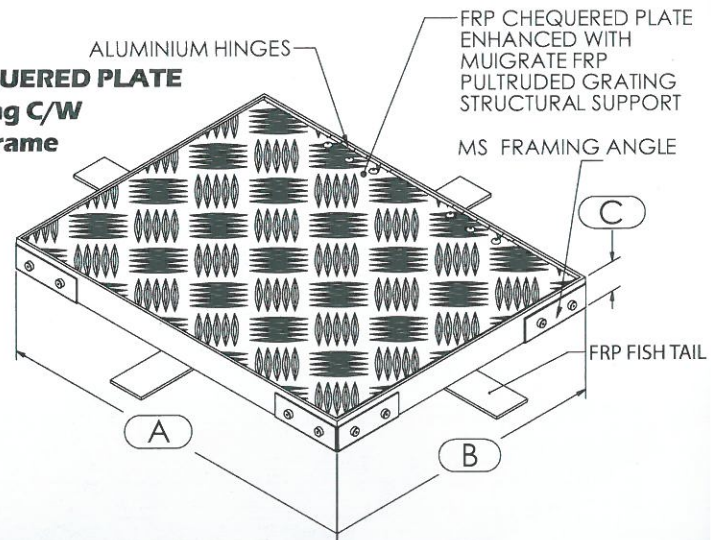
FRP Grating C/W FRP Frame



FRP CHEQUERED PLATE Grating C/W MS Frame



FRP CHEQUERED PLATE Grating C/W FRP Frame



Normal



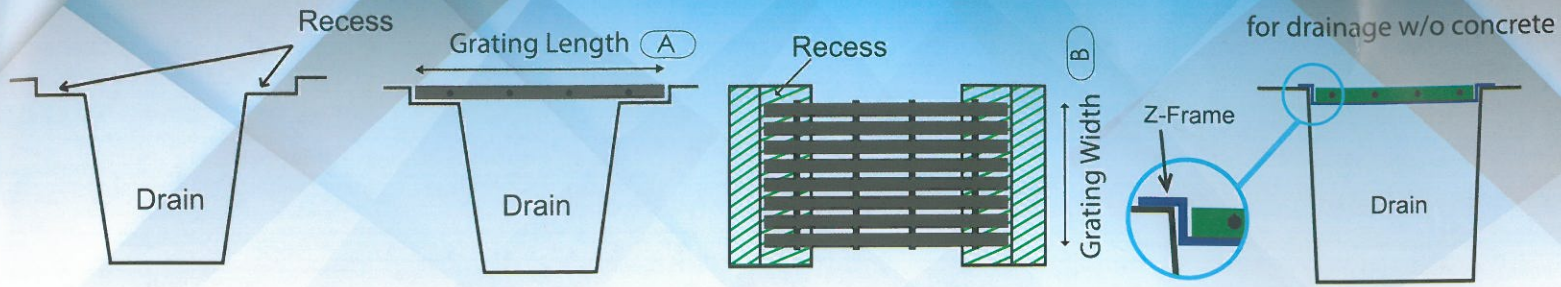
Gritted



Chequered Plate



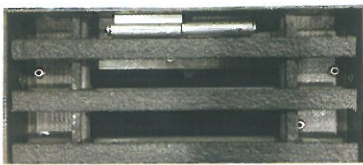
MuiGrate Grating Type Selection Guide



MuiGrate Specification Option

- Grating Size : (A) _____ x (B) _____
- Grating Height : (C) 25mm [1.0"] / 38mm [1-½"] / 50mm [2.0"]
- Frame Type : - Fiberglass Frame [FF]- | -Mild Steel Frame [MS]- | -Galvanized [HDG]-
- Hinges Type : - Grating Only- | -Mild Steel- | -Stainless Steel- | -Aluminum-
- Surface Type : - Gritted- | -Gritted- | -Chequered Plate 3mmT
- Resin : - ISO phthalic- | -Vinyl Ester- | -Fire Resistance[FR]- | -Others: _____
- Grating Color : - Grey- | -Yellow- | -Green- | -Others: _____
- Accessories : Embossed Logo- | -Handle [SS]/[MS]- | -Others: _____
- : Fish Tail on Frame ^{4nos per frame} [YES / NO]

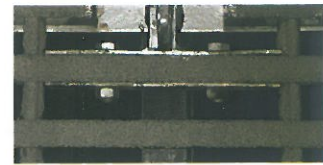
Bolt & Nuts Type



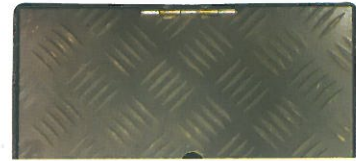
Aluminium Hinges



Mild Steel Hinges

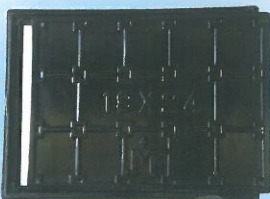


Stainless Steel Hinges



Light Duty Manhole Cover (Septic Tank)

FRP-MC/18"x24"



FRP-MC/D24"



FRP-MC/D20"



FRP-MC/D10"



FRP-MC/15"x20"



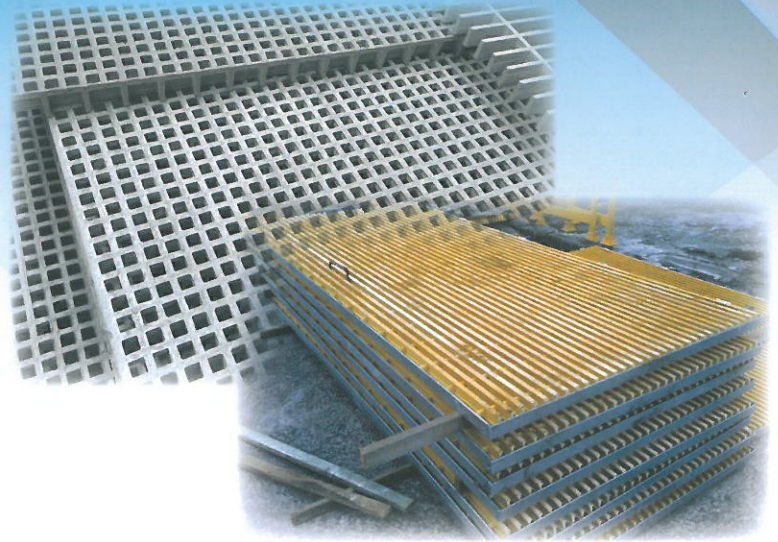
| PRODUCT | DIMENSION | |
|---------------|---------------|---------|
| | MM | INCH |
| FRP MC /18x24 | 457mm x 610mm | 18"x24" |
| FRP MC /15x20 | 381mm x 508mm | 15"x20" |
| FRP MC /D24 | 610mm | 24" |
| FRP MC /D20 | 508mm | 20" |
| FRP MC /D10 | 254mm | 10" |

Our Products & Applications

Recent increased in steel prices and uncontrol theft problem of steel manhole and trench covers has created a substantial need for durable, corrosion-resistant manhole covers and drain sump made of fiberglass reinforced plastics (FRP)

MuiGrate FRP Cover is manufactured with high quality ISO phthalic Polyester Resin and the exterior surface are coated with a UV resistant gelcoat. The standard grit-top surface provides perfect anti-slip flooring. MuiGrate FRP Cover provides excellent corrosion resistance, easy to install, and offers long term durability. These products are ideally suited for manhole covers, trench cover platforms and also to control subsurface odours.

Whether covers are rectangular or round, MuiGrate FRP Cover equally satisfies the unique challenge created by each type of application.



MUIGRATE 101 – SELECTION GUIDE & SPECIFICATION OPTION

- 1) (A) : Grating Length (L) both end must be supported (recess >25mm); Maximum length is 3.0 m [10 ft].
- 2) (B) : Grating Width (W) ; Maximum width is 1.2 m to 1.5 m [4.0 ft to 5.0 ft].
- 3) Standard Panel Grating available in **20ft x 6ft**.
- 4) *Design Note 1:* If grating size is larger than maximum width, "**Double Leaf**" design applied.
- 5) *Design Note 2:* If concrete recess is not used, "**Z-Frame**" design applied; subject to design loading
- 6) Additional Cost applied on Grating Color, Resin & accessories. Please call for details.
- 7) Quotation & price usually does not include installation, unloading, documentation & testing
- 8) Dimension Tolerance $\pm 5\text{mm}$
- 9) For Special Chemical Resistance, detailed presence of type(s) of chemical(s) in terms of concentration, working temperature and other important technical specification should be provide for compatibility check before proceeding with order. This may affect quoted price due to different raw material requirement
- 10) FRP Grating are design as for only pedestrian traffic (human traffic) as per BS 4592.
- 11) "Heavy Duty" FRP Grating **unable** to support vehicle loads (cars/motorcycles/trailer/trucks). **Any uses or vehicle will void warranty; unless certified by our company.**
- 12) The support usually are install parallel to Grating Width (B). It can be material made of FRP & Mild Steel (Channel or I-Beam), or Concrete plinth.
- 13) For FRP Grating Loading Table please refer to Advance MuiGrate Catalog. (Available upon request.)



MUI FATT

YOUR DISTRIBUTOR :