

# MUI MF TANK™

## FRP STORAGE TANK



- NON-TOXIC
- RUST FREE
- SEAMLESS
- SUN LIGHT RESISTANT
- COLD WATER OR
- CHEMICAL

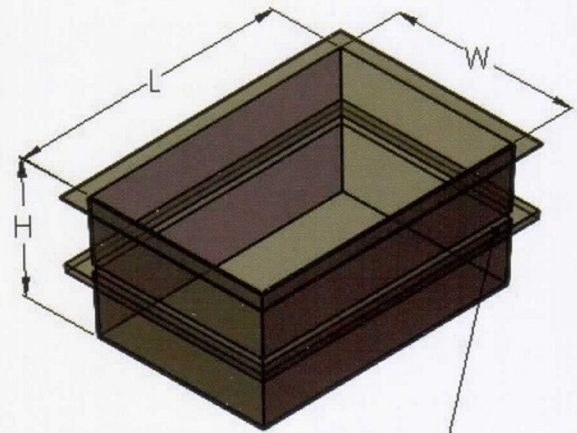
## Closed Top and Open Top Series



JIS A 4110 : 1989  
MS 1225 : PART2 : 2006

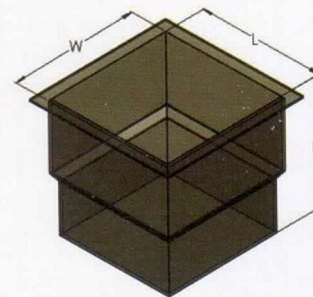
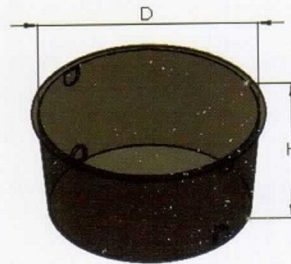


Mui Tank Properties - Square Tank						
CAPACITY		MODEL	INTERNAL DIMENSION			THICKNESS
Gallons	Litres		L	W	H	
220	1,000	MT-220	1M	1M	1M	4mm
440	2,000	MT-440	2M	1M	1M	4mm
660	3,000	MT-660	3M	1M	1M	5mm
880	4,000	MT-880	2M	2M	1M	6mm
1,320	6,000	MT-1320	3M	2M	1M	7mm
1,760	8,000	MT-1760	2M	2M	2M	8mm

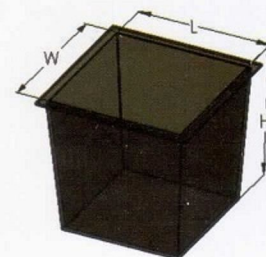


STEEL REINFORCEMENT LAMINATED WITH FRP (For 880 Gallons & Above Only)

Mui Tank Properties - Circular Tank					
CAPACITY		MODEL	INTERNAL DIMENSION (DxH)		THICKNESS
Gallons	Litres		D	H	
220	1,000	MT-220/C	1.35M	1M	4mm
440	2,000	MT-440/C	1.70M	1M	4mm
660	3,000	MT-660/C	2.00M	1M	5mm
880	4,000	MT-880/C	2.32M	1M	6mm

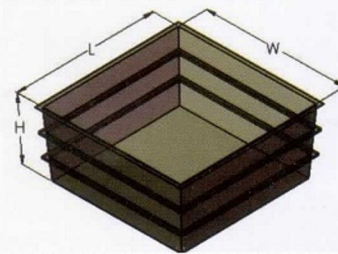


FOR MTD MODEL



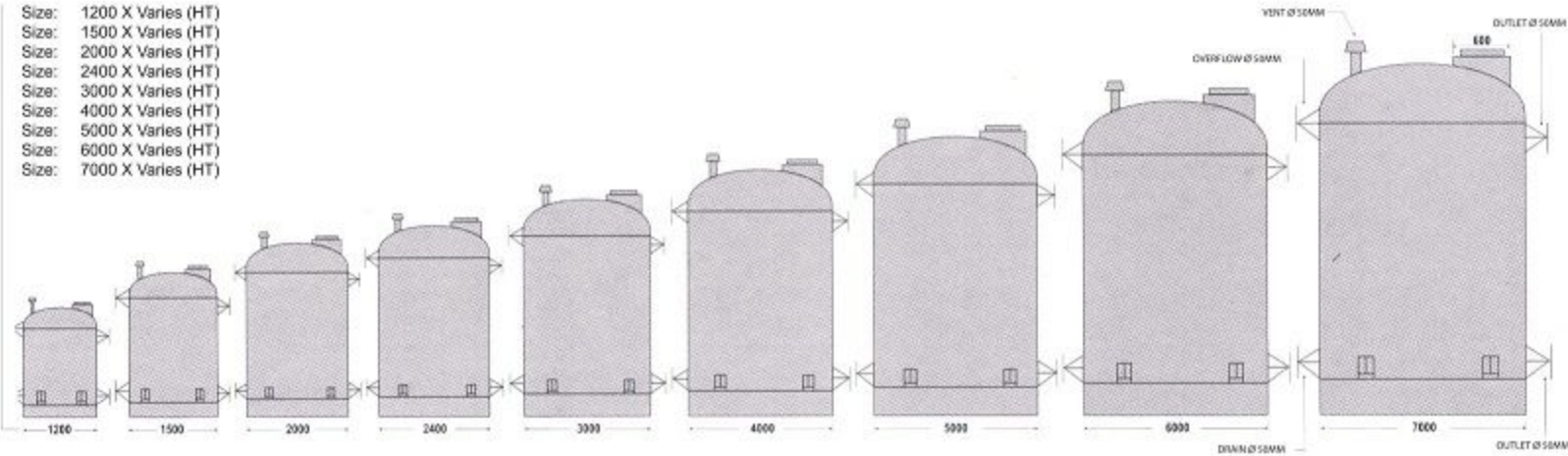
FOR MT60 to 100 MODEL

CAPACITY		MODEL	INTERNAL DIMENSION - inch -		
Gallons	Litres		L	W	H
80	360	MT-80	39"	31"	20"
100	450	MT-100	38"	32"	23"
150	680	MTD-150	48"	36"	24"
200	910	MTD-200	48"	48"	24"
250	1,140	MT-250	48"	48"	30"
300	1,360	MT-300	51"	51"	32"
400	1,820	MT-400	48"	48"	48"

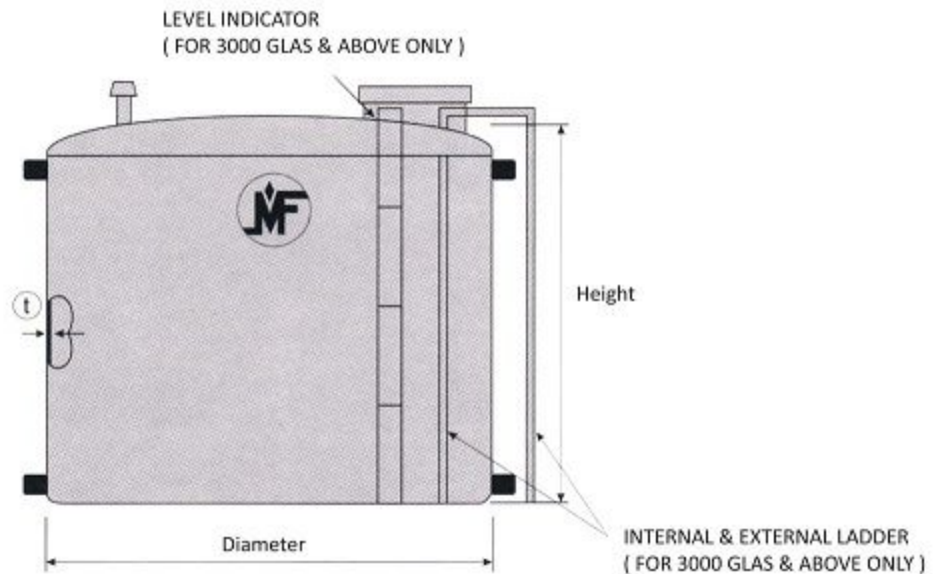




Size: 1200 X Varies (HT)  
 Size: 1500 X Varies (HT)  
 Size: 2000 X Varies (HT)  
 Size: 2400 X Varies (HT)  
 Size: 3000 X Varies (HT)  
 Size: 4000 X Varies (HT)  
 Size: 5000 X Varies (HT)  
 Size: 6000 X Varies (HT)  
 Size: 7000 X Varies (HT)



PHYSICAL PROPERTIES OF FRP		RESULT	JIS A4110-1989 / MS 1225 : PART 2 : 2006
Tensile strength	MN/m <sup>2</sup>	103.0	70 (min)
Bending strength	MN/m <sup>2</sup>	182.4	100 (min)
Elastic modulus in bend	MN/m <sup>2</sup>	7906.0	6000 (min)
Barcol (Hardness)	Barcol	50	Moulded surface 58 (max) 43 (min) Exposed surface 62 (max) 42 (min)
Water absorption	%	0.15	1.0 (max)
Lap shear strength	MN/m <sup>2</sup>	11.03	7.0 (min)



### NOTE:

- All dimension are rounded-off to the nearest 10mm (or 0.5 inch).
- Only water tanks which 3000 Gallons and above will be supplied with internal/external ladder and level indicator.
- Tank properties subject to change without prior notice.
- Dimension given above are for space required for installation purpose only.
- The manufacturer reserves the right to amend or change the design, patterns and specifications without any prior notice as continuous improvement achieved.



**Mui Tank™** CIRCULAR CLOSED TOP SERIES (Dia. 1.2m, 1.5m, 2m, 2.4m, 3m, 4m, 5m, 6m, 7m)

<b>Dia. 1.2m</b>			
HEIGHT (mm)	CAPACITY (Gallons)	APPROX. WEIGHT (Kgs)	APPROX. THICKNESS (mm)
1,000	250	54	5 ~ 6
1,200	300	60	5 ~ 6
1,610	400	72	5 ~ 6
2,010	500	96	5 ~ 6
2,410	600	110	5 ~ 6
# 3,000	750	131	5 ~ 6

<b>Dia. 1.5m</b>			
HEIGHT (mm)	CAPACITY (Gallons)	APPROX. WEIGHT (Kgs)	APPROX. THICKNESS (mm)
1,030	400	76	5 ~ 6
1,280	500	95	5 ~ 6
1,540	600	107	5 ~ 6
1,800	700	118	5 ~ 6
2,060	800	130	5 ~ 6
2,570	1,000	152	5 ~ 6
3,080	1,200	178	5 ~ 7
# 3,750	1,460	211	5 ~ 8

<b>Dia. 2.0m</b>			
HEIGHT (mm)	CAPACITY (Gallons)	APPROX. WEIGHT (Kgs)	APPROX. THICKNESS (mm)
1,010	700	128	5 ~ 6
1,160	800	136	5 ~ 6
1,440	1,000	153	5 ~ 6
2,170	1,500	208	5 ~ 8
2,890	2,000	286	6 ~ 8
3,610	2,500	336	6 ~ 8
4,330	3,000	429	6 ~ 8
# 5,000	3,460	544	7 ~ 9

<b>Dia. 2.4m</b>			
HEIGHT (mm)	CAPACITY (Gallons)	APPROX. WEIGHT (Kgs)	APPROX. THICKNESS (mm)
1,000	1,000	169	5 ~ 6
1,510	1,500	221	5 ~ 8
2,010	2,000	290	6 ~ 8
2,510	2,500	332	6 ~ 8
3,010	3,000	404	6 ~ 8
4,010	4,000	562	7 ~ 9
5,020	5,000	728	7 ~ 9
# 6,000	5,980	851	7 ~ 10

<b>Dia. 3.0m</b>			
HEIGHT (mm)	CAPACITY (Gallons)	APPROX. WEIGHT (Kgs)	APPROX. THICKNESS (mm)
1,280	2,000	326	6 ~ 8
1,930	3,000	412	6 ~ 8
2,570	4,000	551	7 ~ 9
3,210	5,000	681	7 ~ 9
3,850	6,000	786	7 ~ 10
5,140	8,000	1,178	8 ~ 13
6,420	10,000	1,399	8 ~ 13
# 7,500	11,680	1,711	8 ~ 14

<b>Dia. 4.0m</b>			
HEIGHT (mm)	CAPACITY (Gallons)	APPROX. WEIGHT (Kgs)	APPROX. THICKNESS (mm)
1,810	5,000	732	7 ~ 9
2,170	6,000	823	7 ~ 10
2,530	7,000	990	8 ~ 11
2,890	8,000	1,168	8 ~ 13
3,610	10,000	1,332	8 ~ 13
4,330	12,000	1,604	8 ~ 14
5,420	15,000	1,874	8 ~ 14
6,500	18,000	2,471	9 ~ 16
7,220	20,000	2,870	10 ~ 17
9,030	25,000	3,855	11 ~ 19
# 10,000	27,680	4,439	12 ~ 20

<b>Dia. 5.0m</b>			
HEIGHT (mm)	CAPACITY (Gallons)	APPROX. WEIGHT (Kgs)	APPROX. THICKNESS (mm)
1,020	4,400	450	5
2,050	8,800	650	7
3,060	13,200	850	9
4,080	17,600	1,050	10
5,100	22,000	1,250	11
# 6,120	26,400	1,450	12

<b>Dia. 6.0m</b>			
HEIGHT (mm)	CAPACITY (Gallons)	APPROX. WEIGHT (Kgs)	APPROX. THICKNESS (mm)
1,070	6,600	600	5
2,130	13,200	900	7
3,190	19,800	1,150	9
4,250	26,400	1,500	11
5,310	33,000	1,800	13
# 6,370	39,600	2,050	15

<b>Dia. 7.0m</b>			
HEIGHT (mm)	CAPACITY (Gallons)	APPROX. WEIGHT (Kgs)	APPROX. THICKNESS (mm)
1,040	8,800	750	5
2,080	17,600	1,050	7
3,120	26,400	1,500	10
4,160	35,200	1,900	12
5,200	44,000	2,350	14
# 6,240	52,800	2,800	16

# Maximum height of each diameters.

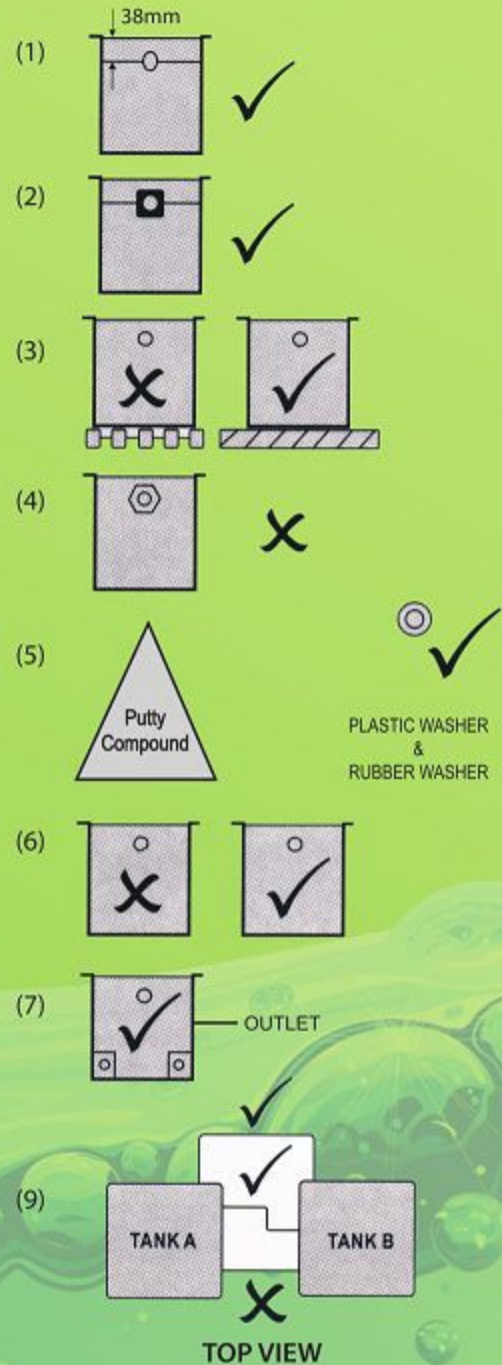
\* Diameter 5m, 6m and 7m water tank to be assemble/ fabricate at site.



# INSTALLATION INSTRUCTION

## Open Top Series

1. The centre-line of the Ball-Valve should be approximately 38mm from top of the tank.
2. A backing plate must be used and fitted on the outside of the tank.
3. Place the tank on top a flat supporter, e.g. flat plywood or concrete at 90 degree angle vertically for a uniform pressure support over the tanks entire base.
4. Support and align all pipes connecting to the tank DO NOT OVERTIGHTENED THE BACKNUT AGAINST THE FIBERGLASS TANK.
5. Use only plastic, rubber washers and PTFE tapes when connecting and joining pipes and other attachments to the fiberglass tank. DO NOT USE PUTTY OR ANY FORM OF JOINTING COMPOUND.
6. Only make fixing pipe circular hole clean edged and notch-free by using sharp hollow punch, hole saw or sharp driller or other sharp cutter that makes perfect circular hole. Scoring or scratching the tank should not be used for setting out the holes.
7. Only position and make water outlet within the flat corner or base portion.
8. DO NOT PLACED THE TANK NEARA HEATER, ELECTRICAL LIGHT BULB OR OTHER SOURCE OF HEAT.
9. When cascading tank is necessary only links the tanks as diagram (9).
10. Always use the right size lid as recommended.



### Warranty Terms & Conditions :

- (i) 8 years (outdoor) and/or 10 years (indoor) warranty covers Mui-Tank MS 1225 : PART 2 : 2006 / JIS A4110 : 1989 for cold water storage only unless otherwise specified.
- (ii) We shall not be held responsible for any defects or damages to the tank if above installation instructions are not adhered to.
- (iii) Our liability is strictly limited to replacing the water tanks. The company will not be responsible for any consequence or losses resulting from the tanks.
- (iv) Our Mui Tank are used for cold water storing on elevated even as clause No. 3.



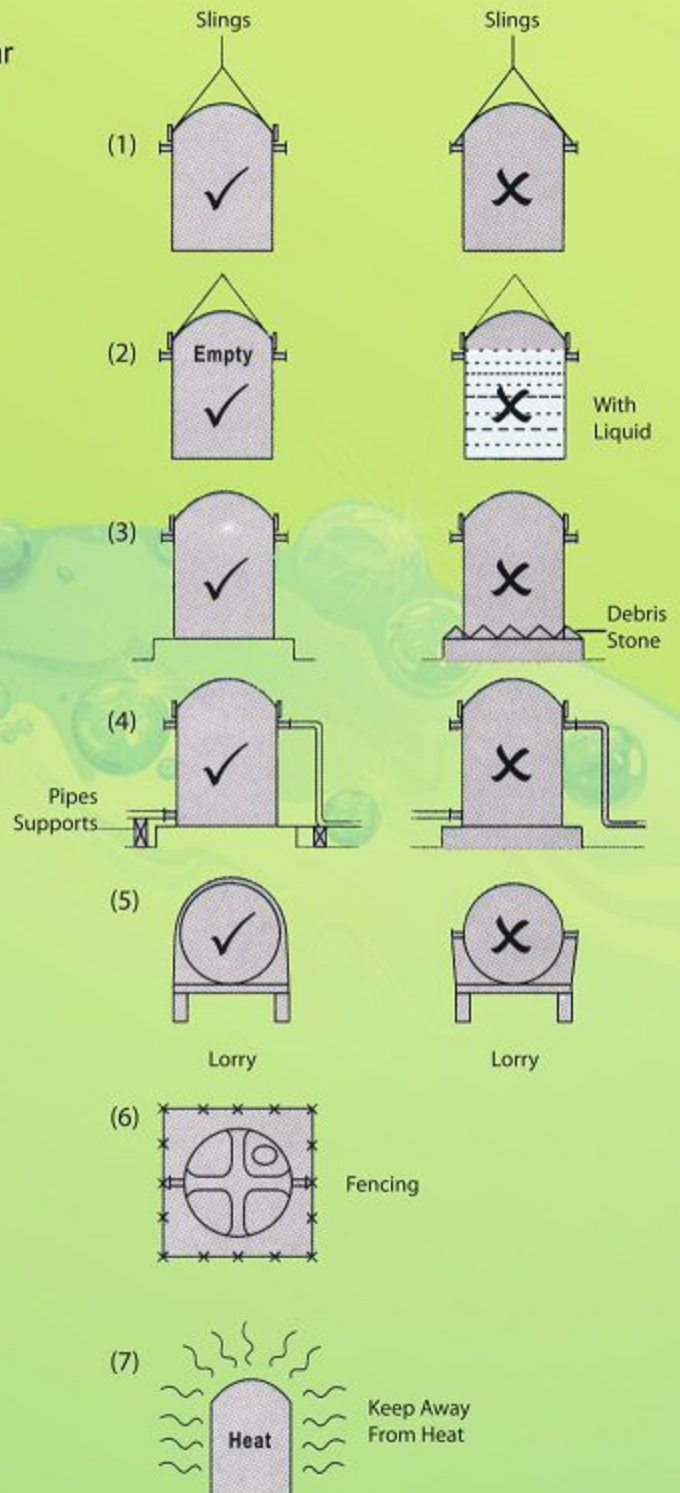
# INSTALLATION INSTRUCTION

## Closed Top Series

1. Mui tanks should be lifted/unloaded using a crane or similar by using ropes or nylon slings to lifting lugs provided NOT lifting at side fittings.
2. Mui Tanks should be strictly lifted when empty of liquid/water.
3. Mui Tanks should be placed on an elevated even surface, such as a concrete platform at least 10 inch (250mm) height from ground level, free of debris or stones.
4. After Mui Tanks are positioned, all piping and jointing should be supported with steel/concrete footing.
5. After lift/loading using a crane to the lorry/low loader, tanks must be safeguarded by wrapping slings around the body of tanks. Strictly NOT on pipe fittings.
6. Mui Tanks surrounding area should have fencing to prohibit unauthorized persons to prevent incidents e.g. strike on tanks with hammer, spanner or sharp object.
7. Mui Tanks should not be placed near a heater, electric light bulb or other source of heat.

### Warranty Terms & Conditions :

- (i) 8 years (putdoor) and/or 10 years (indoor) warranty covers Mui Tank JIS A4110:1989 for cold water storage only unless otherwise specified.
- (ii) We shall not be held responsible for any defects or damages to the tank if above installation instructions are not adhered to.
- (iii) Our liability is strictly limited to replacing the water tanks. The company will not be responsible for any consequence losses resulting from the tanks.
- (iv) Our Mui Tanks are used for cold water storing on an elevated even surface as clause No. 3.



**MUI FATT**

Authorised Distributor :