

APRIL/2011/A

Cat. C18

RECYCLING RECEPTACLES/BINS AND STATIONS



Let the Blue Planet be Blue Forever



MUI FATT

GreenEnviro Series

Recycle Receptacles/Bins/Stations

Recycle
Bins

Earth, our home.

Keeping our home green,
is our responsibilities.



SPECIFICATIONS

- Material: FRP/GRP
- Colour: Custom
- Label/Logo: Custom
- Include liners
- Complete installation provided.

APPLICATIONS

- Suitable for indoor and outdoor
- Public street, public park
- Office and factory
- Hawker center, Shopping Mall,
- School, colleges and university

Successful Projects:

- CAAS, Singapore Airport
- Singapore Urban Planning
- Majlis Perbandaran Klang
- More....



Great for advertisement and awareness program/campaign with infinite artistic label design on the surface of the receptacles.

Model: RS-1000

Recycle Receptacles Stations

Recycle
Bins



Email us your
requirements to
assist@mufiratt.com.my

MOST SUITABLE FOR RECYCLE CAMPAIGN

Successful Projects:

- CAAS, Singapore Airport
- Majlis Perbandaran Klang

APPLICATIONS

- Suitable for indoor and outdoor
- Office and factory
- Hawker center, Shopping Mall
- School, colleges and university
- Airport, train station
- Stadium, race track

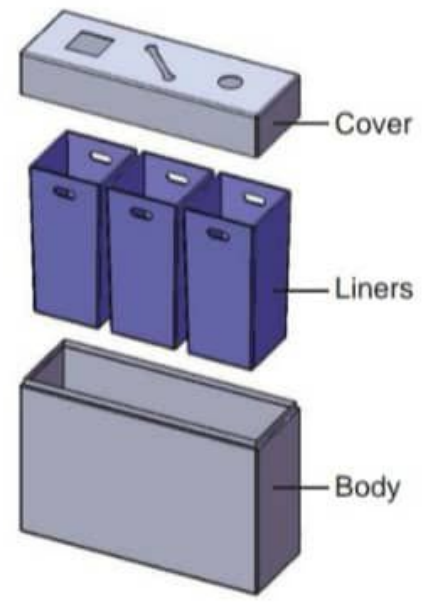
SPECIFICATIONS

- Material: FRP/GRP/PU Paint
- Colour: Custom
- Label/Logo/Sticker: Custom
- Liners included
- Dimension(cm)
Bottle: 54(Diameter)X180(H)
Can: 52(Diameter)X135(H)
Paper: 60(Diameter)X162(H)

Model: RS-2500

3-in-1 Recycle Receptacles Station

Recycle
Bins



Great for OFFICE.

Promote recycling awareness program within your organisation with RS-2500 recycling station.

- SPECIFICATIONS**
- Material: FRP (Fibreglass Reinforced Plastic)
 - Colour: Custom
 - Include standard sticker. Custom label available on request.
 - Includes 3 PE liners with plastic holder
 - Dimension(mm): 1100 X 380 X 810(H)
 - Note: Require cover fully lifts up when emptying the liners.

10 years warranty

Recycling Awareness Label included

Custom Colour Solid, Metallic, Granite

Email us your requirements to assist@mulfart.com.my



Model: 2600 Series

Duo, Triple and Quadruple Recycle Bin/Receptacle Station

Recycle
Bins

✓ Custom Label
Design
FREE

✓ Custom texture
Terracotta, wood,
stone

✓ Custom Colour
Solid, Metallic,
granite

✓ Email us your
requirements to
assist@mufatt.com.my



SPECIFICATIONS

- Material: FRP/GRP
- Colour: Custom
- Label/Logo: Custom
- Include PE liners
- Complete piece
- Dimension(mm)
Twin: 780(L)X400(W)X800(H)
Triplet: 1180(L)X400X800(H)
Quadruplet: 1580(L)X400(W)X800(H)

APPLICATIONS

- Suitable for indoor
- Public street, public park
- Office and factory
- Hawker center, Shopping Mall,
- School, colleges and university
- Airport, train station
- Stadium, race track

Successful Projects:

- CAAS, Singapore Airport
- Singapore Urban Planning
- Majlis Perbandaran Klang
- India Indira Gandhi International Airport

FREE ARTWORK DESIGN

THREE CONFIGURATIONS
TO CHOOSE FROM:

1. The TWIN
2. The TRIPLET
3. The QUADRUPLET

Great for advertisement and awareness program/campaign with infinite artistic label design on the surface of the receptacles.



Model: 2600 Series

Duo, Triple and Quadruple Recycle Bins/Receptacle Station

Recycle
Bins



Long lasting FRP construction back with 10 years warranty

Three 60 litres PE liners with waste bag holder

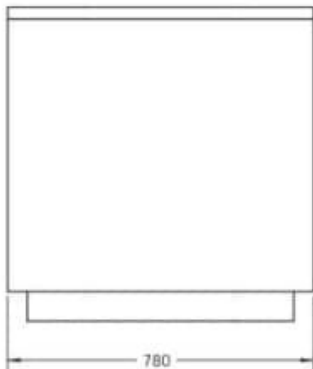
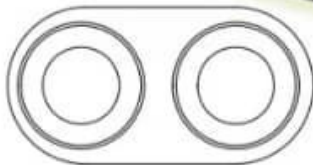
Place against the wall or as an island

Spacious area for sticker and advertisement.

RS-2620: 95cm(W) X 70cm(H)

RS-2630: 142cm(W) X 70cm(H)

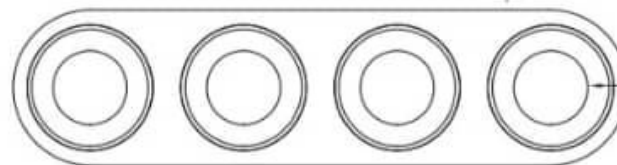
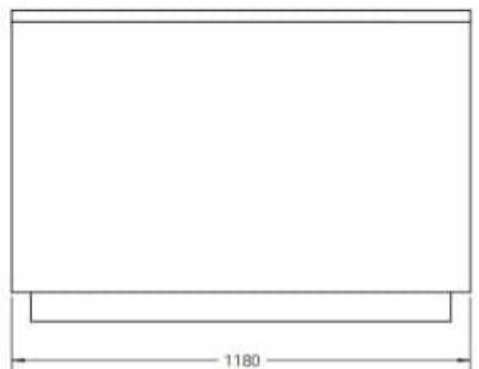
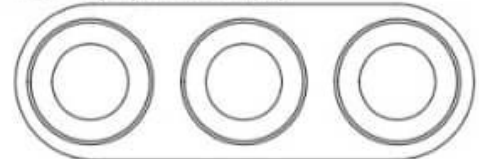
RS-2640: 190cm(W) X 70cm(H)



Model: RS-2620



Model: RS-2630



R200

Ø190



Model: RS-2640

Dimension: mm

